

MQSA ITEM

Single Exposure High Contrast Resolution Phantom

Model 016A



PERFORM QC INSPECTIONS OF MAMMOGRAPHY SYSTEM RESOLUTION WITH JUST ONE EXPOSURE!

The CIRS Model 016A incorporates two 17.5 micron thick gold-nickel bar patterns (Model 019-500). These bar patterns are positioned at 90 degrees to allow assessment of resolution perpendicular and parallel to anode-cathode axis in just one exposure. The targets have 17 segments from 5 lp to 20 lp/mm and are equivalent to 25 microns of lead at 20 keV.

The patterns are permanently embedded in a thin acrylic wafer (Model 016AW) to protect them from wear or damage.

The phantom body is available in two different breast equivalent materials and features a cavity for the acrylic wafer. This design enables consistent, reproducible positioning of the bar pattern at 4.5 cm above the breast support plate and 1 cm from the chest wall, centered laterally (as recommended by the American College of Radiology).

Features

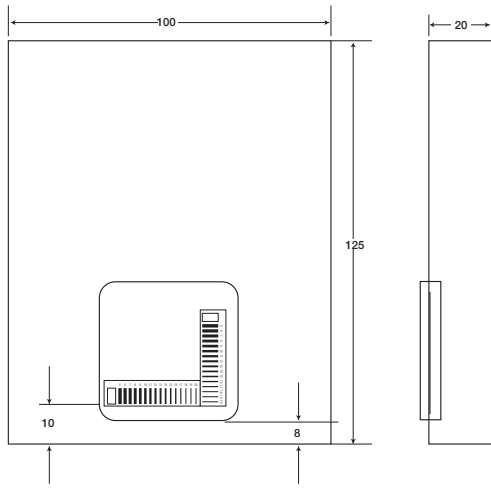
- Perpendicular bar pattern design for assessment of system resolution using single exposure
- Reproducible positioning
- Acrylic wafer to protect bars from wear and damage
- Breast equivalent phantom body materials

2428 Alameda Avenue Suite 316 • Norfolk, Virginia 23513 • USA
Tel: 800.617.1177 • 757.855.2765 • Fax: 757.857.0523

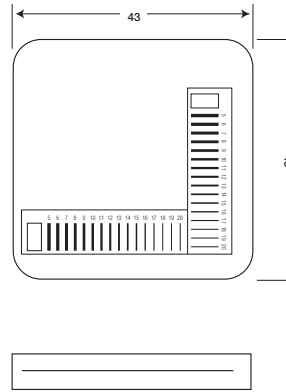
WWW.CIRSINC.COM

CIRS

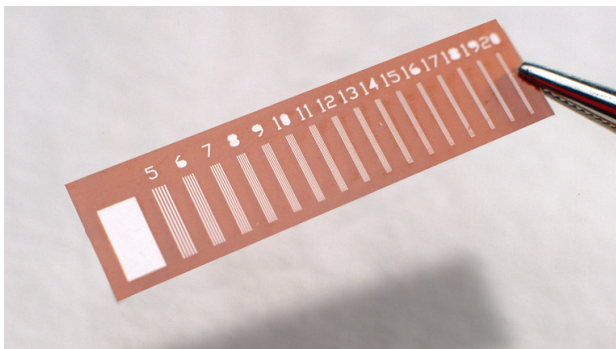
Tissue Simulation & Phantom Technology



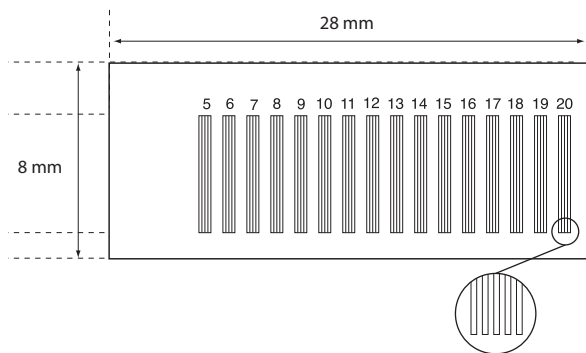
Slab Layout with Acrylic Target



Acrylic Target (016AW)



Line Pair Test Pattern (Model 019-500) embedded in 016AW



20 Line Pair per Millimeter Bar Pattern (Model 019-500)

SPECIFICATIONS

SET DIMENSIONS:	12.5 cm x 10 cm x 4.5 cm (4.9" x 3.9" x 1.7")
PHANTOM WEIGHT:	2 lbs. (0.7 kg)
MATERIALS:	Phantom: BR12 or BR50/50 Target: Gold Nickel Construction (equivalent to 25 microns lead or 2.6 mm aluminum) Embedded in acrylic

MODEL 016A SET INCLUDES

PART NO.	QTY	COMPONENT DESCRIPTION
016A Set	1	12.5 cm x 10 cm x 0.5 cm Slab (BR12 or BR50/50)
	1	12.5 cm x 10 cm x 2 cm Slab (BR12 or BR50/50)
	1	12.5 cm x 10 cm x 2 cm Slab with cutout for Acrylic Target (BR12 or BR50/50)
016AW	1	Acrylic wafer with two Line Pair Test patterns positioned at 90 degrees

The 016A Set is available in two compositions.

MODEL NO.	MODEL DESCRIPTION
016A- BR12	Ultra High Contrast Resolution Phantom (5 to 20 Lp/mm)- BR12
016A- 5050	Ultra High Contrast Resolution Phantom (5 to 20 Lp/mm)- 50% Adipose, 50% Glandular

