

Cube 20 Phantom

Model 009



Model 009 showing water-equivalent cavity block

THE MOST CONVENIENT DEVICE FOR ROUTINE QA AND IMRT APPLICATIONS

The CIRS Model 009 Cube 20 Phantom was designed for routine QA in RT and IMRT applications where ease of use and quick set-up are important. The Cube 20 phantom is manufactured from Plastic Water[®] DT which faithfully mimics the linear attenuations of water within 1% from 50 keV to 15 MeV. This enables complete QA from CT image acquisitions to therapy dose verifications. The 20 cm cubic dimension was chosen as a suitable approximation for both head/neck and torso treatments. All the edges are rounded to avoid CT artifacts.

Chamber, diode or MOSFET detectors are easily positioned at isocenter of the cube and laser alignment marks on all sides facilitate precise positioning of the phantom.* Detector position can be adjusted in 1 mm increments longitudinally and 5 mm increments for lateral and elevational adjustments.

Ready-Pac film can be inserted in the Cube. By rotating the cube, the film is easily set in sagittal, coronal or transverse orientations.

Stainless steel fiducials are clearly resolvable on CT images and leave small indentations on the film for precise film to plan registration. Upon request, a recess can be milled in the interface surface for darkroom loading of radiographic film 5 x 6".

Features

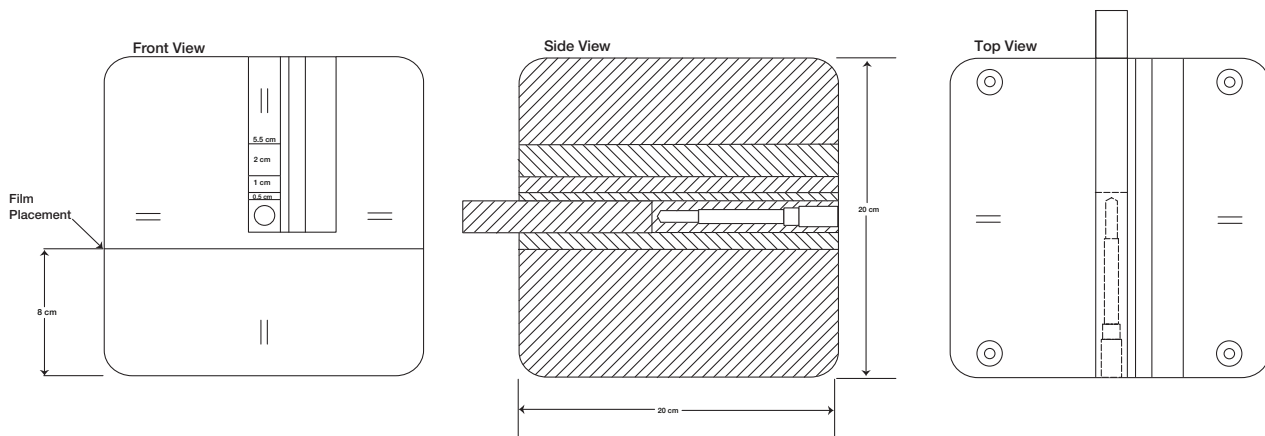
- Routine patient QA
- Beam constancy checks
- MLC QA
- User friendly set-up and positioning
- Suitable for head/neck and torso treatments
- Mimics water within 1%

2428 Alameda Avenue Suite 316 • Norfolk, Virginia 23513 • USA
Tel: 800.617.1177 • 757.855.2765 • Fax: 757.857.0523

WWW.CIRSIINC.COM

CIRS

Tissue Simulation & Phantom Technology



SPECIFICATIONS

OVERALL DIMENSIONS:	20.3 cm x 20.3 cm x 20.3 cm (8" x 8" x 8")
WEIGHT:	6.7 kg (18 lb)
MATERIALS:	Plastic Water® DT

MODEL 009 INCLUDES

QTY	DESCRIPTION
1	Cube 20 Phantom
3	Lateral Spacers - 0.5 cm, 1 cm, & 2 cm
3	Elevational Spacers - 0.5 cm, 1 cm, & 2 cm
-	User Guide
-	48 Month Warranty

INSERT OPTION

*Customers are encouraged to complete their order with the purchase of the insert option listed below. Refer to separate CIRS cavity and plug code list for available chamber cavities.

PART NO.	DESCRIPTION
009RW-CVXX-XX	Water equivalent cavity block (Plastic Water® DT)

Reference:

Ramaseshan, R., Kohli, K., Cao, F., & Heaton, R. (2008). A Dosimetric evaluation of Plastic Water-Diagnostic-Therapy (PWDT). Journal Of Applied Clinical Medical Physics, 9(2). doi:10.1120/jacmp.v9i2.2761

